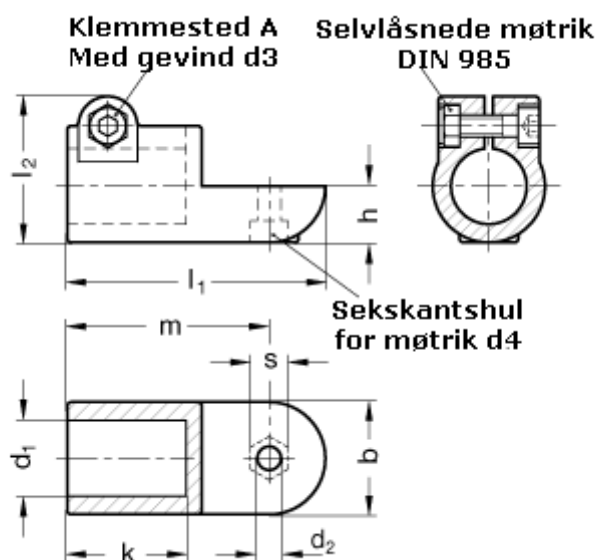


Article number: 20276B42MZ2SW

Description: E+G Swivel clamp connector
GN276-B42-MZ-2-SW

Measures



b = 65	m = 115
d1 = B42	s = 17
d2 = 10.2	
d3 = M10	
d4 = M10	
k = 74.0	
l1 = 148	
l2 = 77.5	